



Wall basin or Above counter basin, square

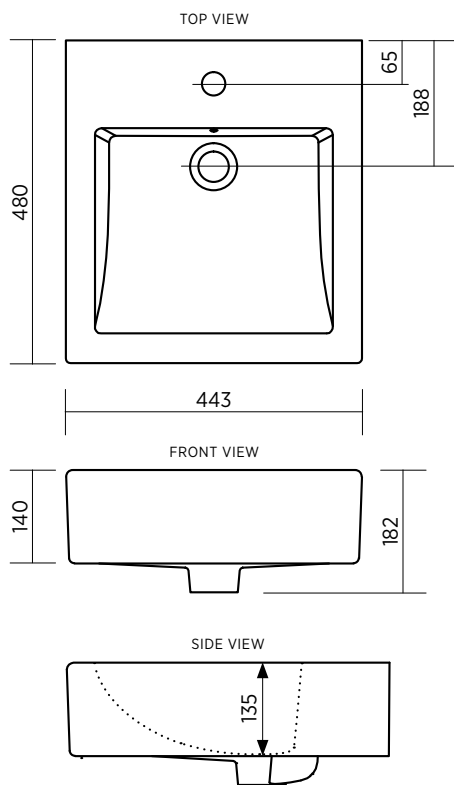
This square basin has a minimalist architectural feel and features a platform for optional tapware.

Back of basin is glazed. There are blind fixing holes on the back, designed to simplify wallmount installation.

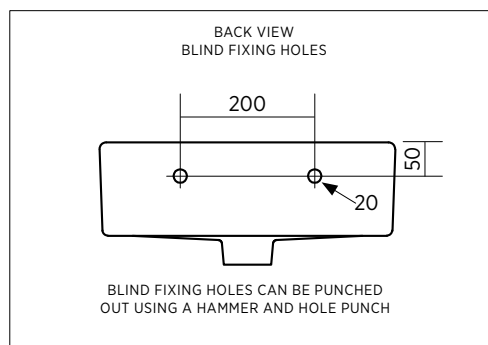
ORDER CODE	ABOVE COUNTER BASIN
SBC-010B	1 taphole
SBC-010B-0T	No taphole
SBC-010B-3T	3 tapholes

WALL BASIN	
SBC-010B-W	1 taphole, with wall kit
SBC-010B-W-0T	No taphole, with wall kit
SBC-010B-W-3T	3 tapholes, with wall kit

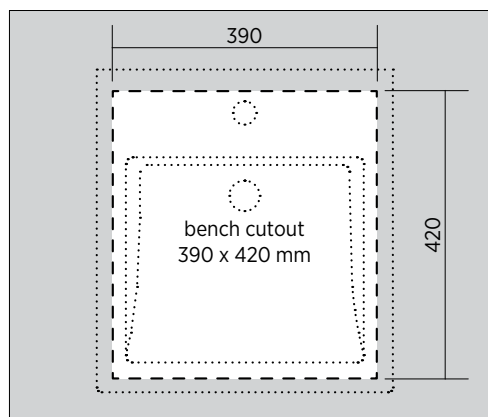
TAPHOLE	0, 1 or 3 tapholes.
WASTE	Suits standard 32mm waste with overflow (not supplied).
TRAP	Wall basin can be used with bottle trap, subject to local licensing authorities.
CAPACITY	6 litres.
OVERFLOW	Basin has integrated overflow.
MATERIAL	White vitreous china with nanoglaze.
GLAZING	Back of basin is glazed.
WALL FIXING	There are blind fixing holes on the back of the basin, for wallmount installation.



WALL INSTALLATION – LOCATION OF FIXING HOLES



ABOVE COUNTER INSTALLATION – BENCH CUTOUT



 Nanoglaze surface - ultra-smooth and anti-bacterial, easy to clean

 Basin has integrated overflow

SEIMA

bathroom | kitchen | laundry

seima.com.au

Please note

- All measurements are in millimetres.
- Dimensions are nominal and subject to normal ceramic manufacturing variations of ±5mm.
- Fixing: Use acetic cured silicone sealant. Do not use epoxy type adhesives.
- Always use the actual basin to verify cutout.
- Specifications may vary without notice as part of our continuous improvement practices.
- Clean with a damp cloth. Do not use abrasive cleaners, liquids or pastes.